

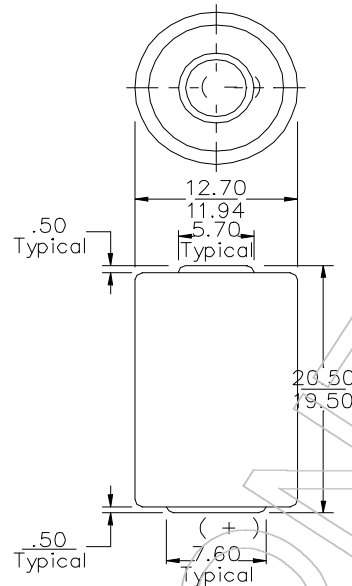


Eveready Battery Company, Inc.

Checkerboard Square
St. Louis, MO 63164
Telephone 1-800-383-7323
Internet: www.energizer.com

Engineering Data

ENERGIZER NO. EPX27



Chemical System: Mercuric Oxide (Zn/HgO)

Designation: ANSI / NEDA-1413MP, IEC-4RN43

Average Service Capacity (to 3.6 volts): 155 mAh
(Rated Capacity at 2.5K ohms @ 21°C)

Typical Weight: 7.7 grams (0.27 oz.)

Volume: 2.3 cubic centimeters (0.14 cubic in.)

Cells: Four 41 in series

Dimensions (mm)

Millimeters	Inches
0.50	0.020
5.70	0.224
7.60	0.299
11.94	0.470
12.70	0.500
19.51	0.768
20.50	0.807

IMPORTANT NOTICE

This data sheet contains information specific to batteries manufactured at time of its publication. Please contact your Energizer representative for most current information. Contents herein do not constitute a warranty.