

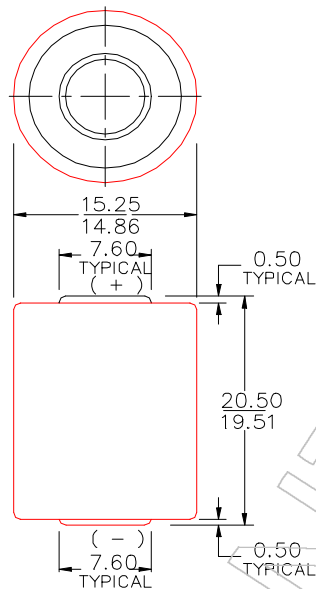


Eveready Battery Company, Inc.

Checkerboard Square  
St. Louis, MO 63164  
Telephone 1-800-383-7323  
Internet: www.energizer.com

## Engineering Data

### ENERGIZER NO. EPX23



**Chemical System:** Mercuric Oxide (Zn/HgO)  
**Designation:** ANSI / NEDA-1407MP, IEC-4NR43  
**Average Service Capacity** (to 3.6 volts): 155 mAh  
(Rated Capacity at 2,500 ohms @ 21°C)  
**Typical Weight:** 7.8 grams (0.28 oz.)  
**Volume:** 3.4 cubic centimeters (0.21 cubic in.)  
**Terminals:** Flat Contact  
**Cells:** Four 41 in series  
**Jacket:** Metal

#### Dimensions (mm)

Millimeters	Inches
0.50	0.020
7.60	0.299
14.86	0.585
15.25	0.600
19.51	0.768
20.50	0.807

### IMPORTANT NOTICE

This data sheet contains information specific to batteries manufactured at time of its publication. Please contact your Energizer representative for most current information. Contents herein do not constitute a warranty.