

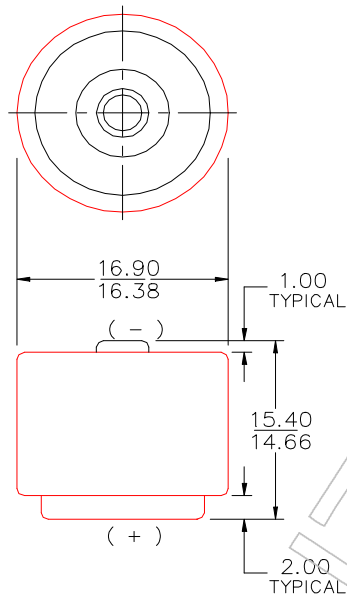


Eveready Battery Company, Inc.

Checkerboard Square  
St. Louis, MO 63164  
Telephone 1-800-383-7323  
Internet: www.energizer.com

## Engineering Data

### ENERGIZER NO. EPX14



**Chemical System:** Mercuric Oxide (Zn/HgO)  
**Designation:** ANSI / NEDA-1201MP, IEC-2MR9  
**Average Service Capacity** (to 1.8 volts): 260 mAh  
(Rated Capacity at 5,000 ohms @ 21°C)  
**Typical Weight:** 8.3 grams (0.3 oz.)  
**Volume:** 3.3 cubic centimeters (0.2 cubic in.)  
**Terminals:** Flat Contact  
**Cell:** Two PX625 in series

#### Dimensions (mm)

Millimeters	Inches
1.00	0.039
2.00	0.070
14.66	0.577
15.40	0.606
16.38	0.645
16.90	0.665

### IMPORTANT NOTICE

This data sheet contains information specific to batteries manufactured at time of its publication. Please contact your Energizer representative for most current information. Contents herein do not constitute a warranty.