

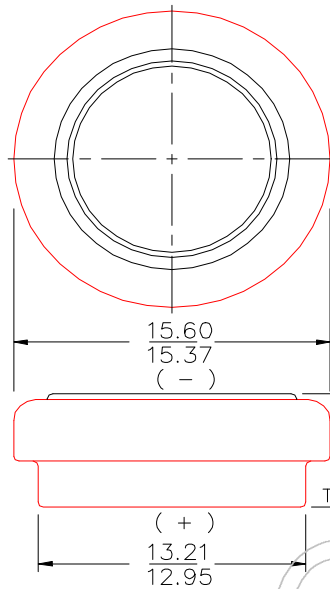


Eveready Battery Company, Inc.

Checkerboard Square  
St. Louis, MO 63164  
Telephone 1-800-383-7323  
Internet: www.energizer.com

## Engineering Data

### ENERGIZER NO. EPX13



**Chemical System:** Mercuric Oxide (Zn/HgO)  
**Designation:** ANSI / NEDA-1114MP, IEC-MR9  
**Average Service Capacity** (to 0.9 volts): 260 mAh  
(Rated Capacity at 2,500 ohms @ 21°C)  
**Typical Weight:** 4.2 grams (0.15 oz.)  
**Volume:** 1.2 cubic centimeters (0.07 cubic in.)  
**Terminals:** Flat Contact

#### Dimensions (mm)

Millimeters	Inches
2.40	0.094
5.79	0.228
6.05	0.238
12.95	0.510
13.21	0.520
15.37	0.605
15.60	0.614

### IMPORTANT NOTICE

This data sheet contains information specific to batteries manufactured at time of its publication. Please contact your Energizer representative for most current information. Contents herein do not constitute a warranty.