

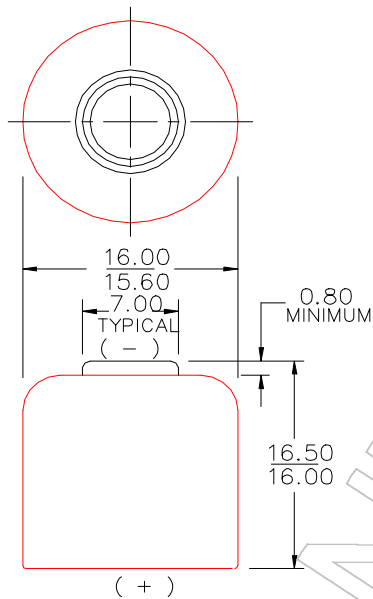


Eveready Battery Company, Inc.

Checkerboard Square  
St. Louis, MO 63164  
Telephone 1-800-383-7323  
Internet: www.energizer.com

## Engineering Data

### ENERGIZER NO. EPX1



**Chemical System:** Mercuric Oxide (Zn/HgO)  
**Designation:** ANSI / NEDA-1100MP, IEC-MR50  
**Average Service Capacity** (to 0.9 volts): 1,000 mAh  
(Rated Capacity at 62 ohms @ 21°C)  
**Typical Weight:** 14.3 grams (0.5 oz.)  
**Volume:** 3.3 cubic centimeters (0.2 cubic in.)  
**Terminals:** Flat Contact  
**Cell:** PX1-P

#### Dimensions (mm)

Millimeters	Inches
0.80	0.005
7.00	0.007
15.60	0.059
16.00	0.177
16.50	0.187

### IMPORTANT NOTICE

This data sheet contains information specific to batteries manufactured at time of its publication. Please contact your Energizer representative for most current information. Contents herein do not constitute a warranty.