

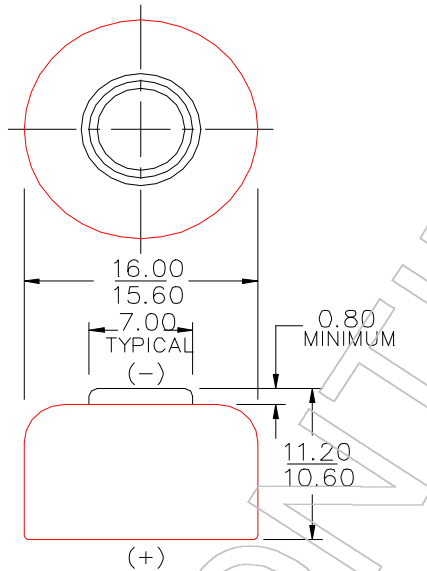


Eveready Battery Company, Inc.

Checkerboard Square
St. Louis, MO 63164
Telephone 1-800-383-7323
Internet: www.energizer.com

Engineering Data

ENERGIZER NO. E640



Chemical System: Mercuric Oxide (Zn/HgO)
Designation: ANSI / NEDA-1105M, IEC-NR52
Average Service Capacity (to 0.9 volts): 500 mAh
(Rated Capacity at 130 ohms @ 21°C)
Typical Weight: 8.0 grams (0.28 oz.)
Volume: 2.3 cubic centimeters (0.14 cubic in.)
Cells: 640-P

Dimensions (mm)

Millimeters	Inches
0.80	0.031
7.00	0.276
10.60	0.417
11.20	0.441
15.60	0.614
16.00	0.630

IMPORTANT NOTICE

This data sheet contains information specific to batteries manufactured at time of its publication. Please contact your Energizer representative for most current information. Contents herein do not constitute a warranty.