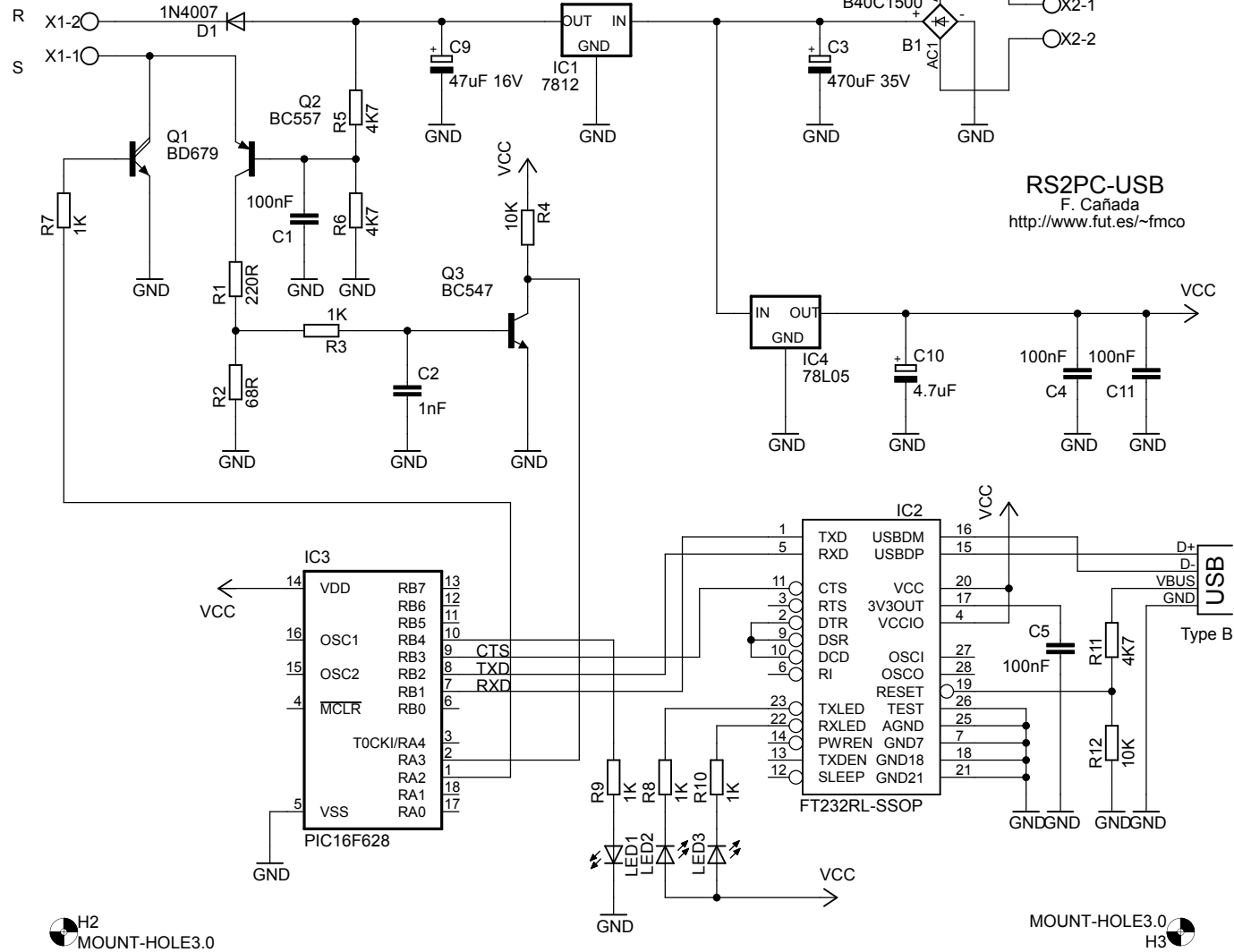


H1  
MOUNT-HOLE3.0

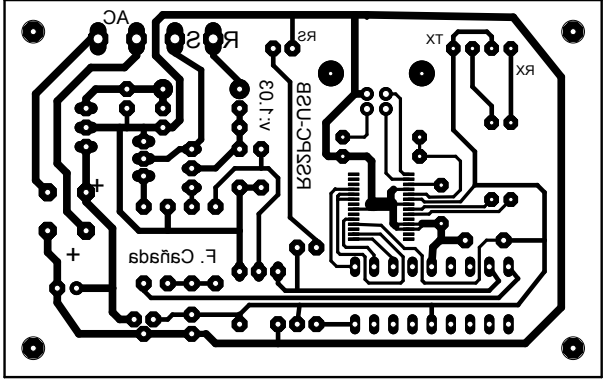
MOUNT-HOLE3.0  
H4



H2  
MOUNT-HOLE3.0

MOUNT-HOLE3.0  
H3

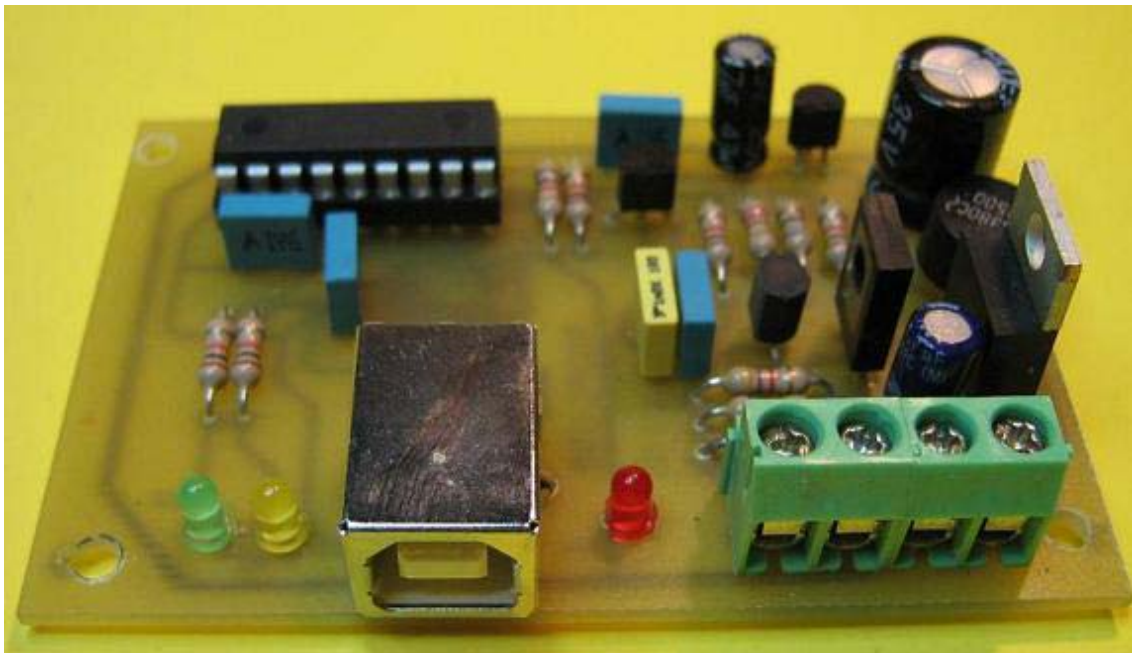




## RS2PC-USB Partlist

| Part | Value        | Device                    |
|------|--------------|---------------------------|
| B1   | B40C1500     | puente diodos / rectifier |
| C1   | 100nF        | Condensador / capacitor   |
| C2   | 1nF          |                           |
| C3   | 470uF 35V    |                           |
| C4   | 100nF        |                           |
| C5   | 100nF        |                           |
| C9   | 47uF 16V     |                           |
| C10  | 4.7uF        |                           |
| C11  | 100nF        |                           |
| D1   | 1N4007       | diodo / diode             |
| IC1  | 7812         | regulador voltage / v-reg |
| IC4  | 78L05        |                           |
| IC2  | FT232RL-SSOP | circuito integrado / IC   |
| IC3  | PIC16F628    |                           |
| LED1 | LED3MM       | led rojo / red            |
| LED2 | LED3MM       | led verde / green         |
| LED3 | LED3MM       | led amarillo / yellow     |
| Q1   | BD679        | transistor                |
| Q2   | BC557        |                           |
| Q3   | BC547        |                           |
| R1   | 220R         | resistencia / resistor    |
| R2   | 68R          |                           |
| R3   | 1K           |                           |
| R4   | 10K          |                           |
| R5   | 4K7          |                           |
| R6   | 4K7          |                           |
| R7   | 1K           |                           |
| R8   | 1K           |                           |
| R9   | 1K           |                           |
| R10  | 1K           |                           |
| R11  | 4K7          |                           |
| R12  | 10K          |                           |
| X1   |              | borna / connector         |
| X2   |              |                           |
| X4   | USBPTH       | conector USB Type B       |

F. Cañada  
<http://www.fut.es/~fmco>



RS2PC montado / mounted

|                               |                                       |
|-------------------------------|---------------------------------------|
| <b>Layout connection:</b>     |                                       |
| Lenz LI100/LI101 ▼            |                                       |
| <b>Serial port:</b>           | COM1 ▼                                |
| <b>Baud rate:</b>             | 19,200 baud ▼                         |
| <b>LI100 connections uses</b> | hardware flow control (recommended) ▼ |

Configuración del programa de PC para usar el RS2PC-USB  
Settings on PC program to use RS2PC-USB