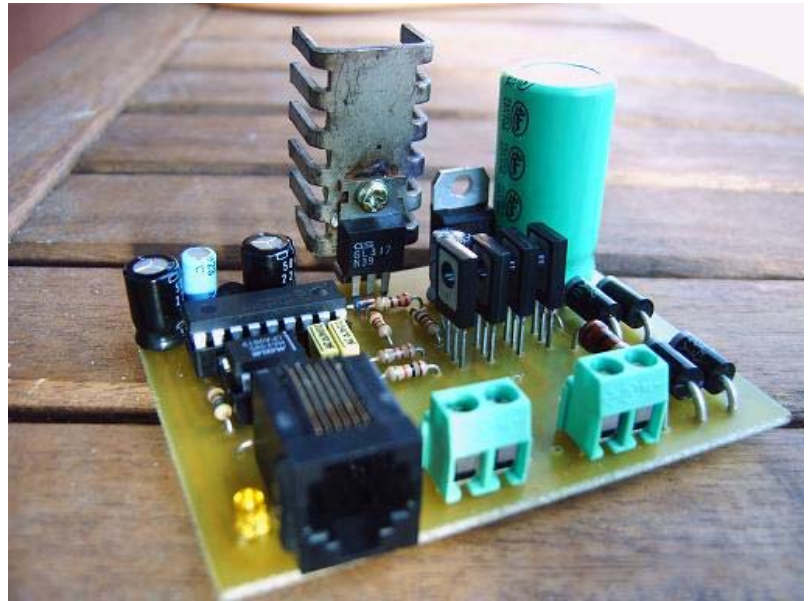
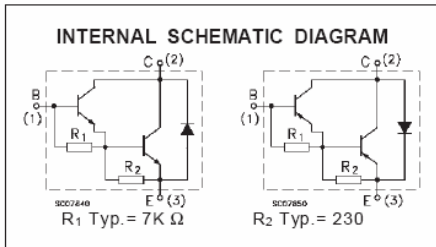
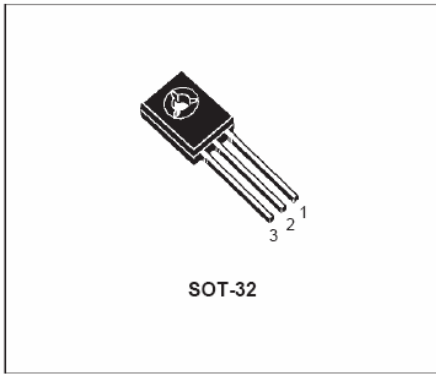


NanoX Partlist

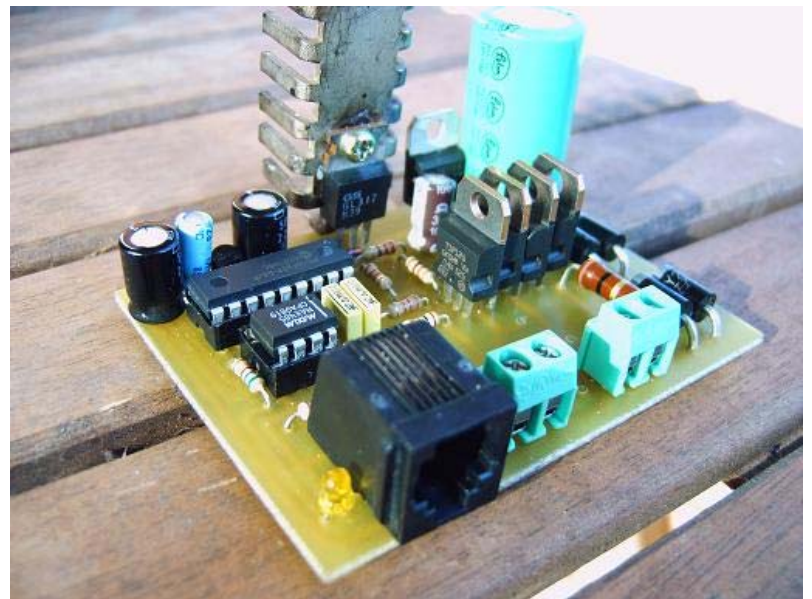
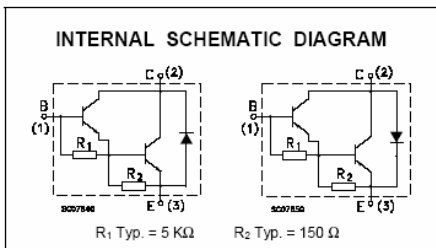
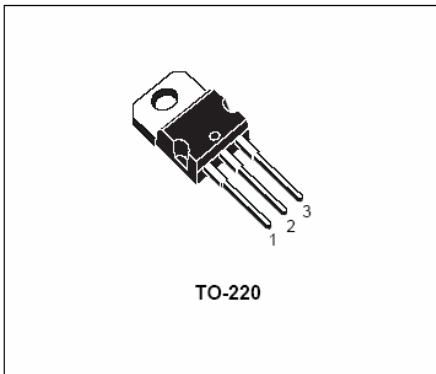
Part	Value	Device
C1	4700uF 35V	condensador / capacitor
C2	100uF	
C3	100nF	
C4	220uF	
C5	10uF	
C6	100nF	
C7	22uF 35V	
D1	1N4148	diodo / diode
D2	BY255	
D3	BY255	
D4	BY255	
D5	BY255	
D6*	1N4004 / 1N4007	
IC1	PIC16F628	circuitos integrados / IC
IC2	MAX485	
IC3	78L05	reguladores de tension / voltage regulators
IC4	LM317	
IC5	7812	
J1	RJ12	conector telefonico / RJ12 4/6 pins phone conector
K1*	G2R	Rele 1 circuito / Relay 1 circuit
LED1	LED3MM	led
Q1	BD679 / TIP120	transistor
Q2	BD680 / TIP125	
Q3	BD680 / TIP125	
Q4	BD679 / TIP120	
Q5	BC337	
Q6	BC337	
Q7*	BC337	
R1	1K	resistencia / resistor
R2	1K	
R3	2K2	
R4	2K2	
R5	1R 2W	1 ohm 2W
R6	220R	
R7	2K2	
R8	10K	
R9	560R	
R10*	2K2	
R11	120R	
X1		borna / conector
X2*		
X3		

* solo para opcion con rele / only for relay option

<http://www.fut.es/~fmco>



NanoX - Transistor BD679 / BD680



NanoX – Transistor TIP120 / TIP125

